



R Series Magnetic Drive Pumps

1/3, 1/2, 3/4, 1, 1-1/2, 2, 3 AND 5 HP

KEY FEATURES

- GFPP and Carbon Reinforced ETFE
- Seal-Less Design
- Low Friction Operation
- Easy Maintenance, No Special Tools

OPTIONS

- Carbon Bushings
- Ceramic Bushings
- EPDM Elastomers
- 575V Motors
- Explosion Proof Motors
- Washdown Motors

MATERIALS

- GFPP Cell Class 85580 per ASTM D4101
- ETFE

CORROSION RESISTANT PUMPS

TECHNICAL INFORMATION

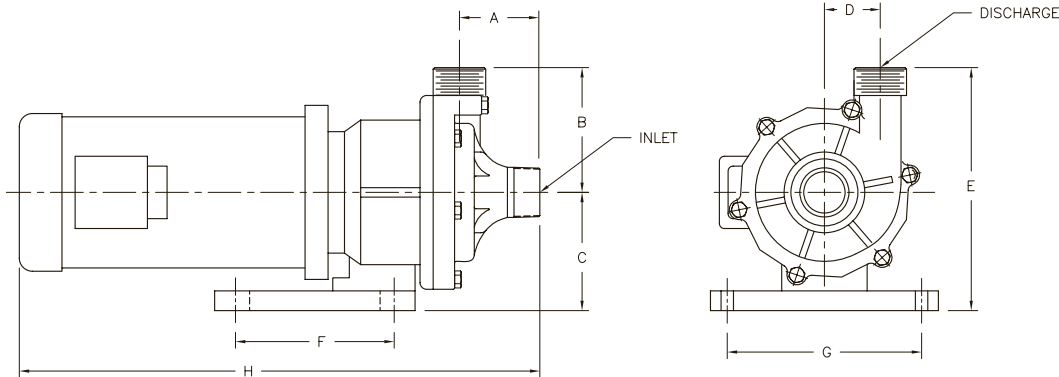
SPECIFICATIONS

PUMP HEAD	Glass reinforced, thick wall, polypropylene construction. Also in ETFE.
PIPE CONNECTION	Threaded NPT
SHAFT	Ceramic with PTFE Bushing
SEALS	FPM
PERFORMANCE	Models for flow rates from 5 to 140 GPM with TDHs of up to 141 feet. R-Series pumps and motors are matched for non-overloading, continuous duty performance throughout the entire pump performance range.
MOTORS	Single or three phase motors available with horsepower ratings of 1/3, 1/2, 3/4, 1, 1-1/2, 2, 3 or 5 HP, 115/230 VAC or 208-230/460 VAC. Motors are heavy-duty TEFC and epoxy painted.
PUMP MODELS	RC03 1/3 HP, RX05 1/2 HP, RX07 3/4 HP, RX10, 1 HP, RX15 1-1/2 HP, RX20 2 HP, RX30 3HP, RX50 5HP.

R Series Magnetic Drive Pumps

1/3, 1/2, 3/4, 1, 1-1/2, 2, 3 AND 5 HP

TECHNICAL INFORMATION, CONTINUED

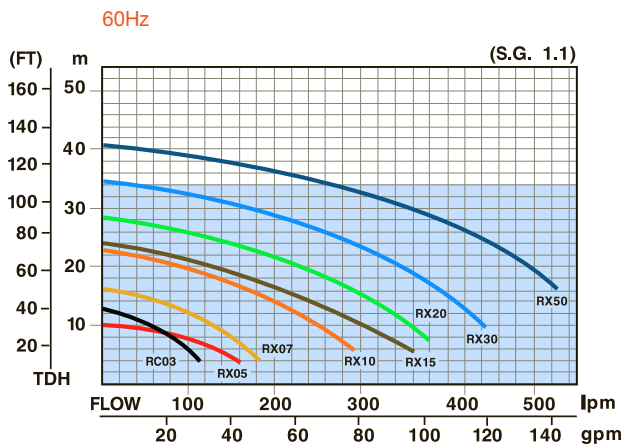


DIMENSIONS

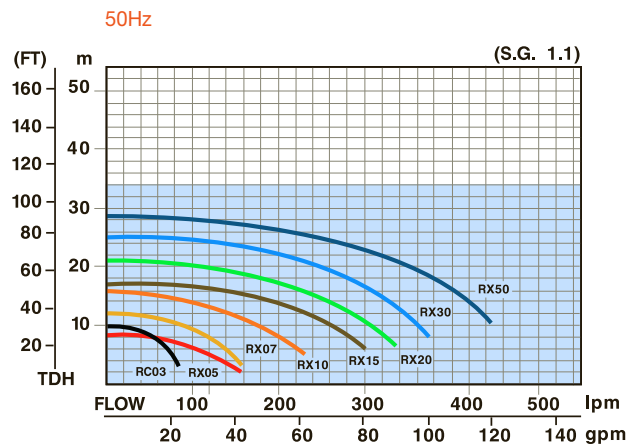
	A	B	C	D	E	F	G	H	INLET	DISCHARGE
	in/mm	in/mm	in/mm	in/mm	in/mm	in/mm	in/mm	in/mm		
RC03	2.52/64	3.94/100	2.95/75	1.73/44	6.89/175	4.33/110	2.76/70	13.82/351	1" MNPT	1" MNPT
RC05	3.15/80	4.49/114	4.53/115	2.00/51	9.02/229	5.12/130	5.21/132	20.47/520	1-1/2" MNPT	1-1/2" MNPT
RC07	3.15/80	4.49/114	4.53/115	2.00/51	9.02/229	5.12/130	5.21/132	20.47/520	1-1/2" MNPT	1-1/2" MNPT
RC10	3.78/96	5.20/132	4.53/115	2.27/58	9.73/247	5.12/130	5.21/132	20.47/520	1-1/2" MNPT	1-1/2" MNPT
RC15	3.15/80	5.44/138	4.53/115	2.56/65	9.97/253	7.88/200	8.20/208	23.50/597	2" MNPT	1-1/2" MNPT
RC20	3.15/80	5.44/138	4.53/115	2.56/65	9.97/253	7.88/200	8.20/208	23.50/597	2" MNPT	1-1/2" MNPT
RC30	3.15/80	5.44/138	4.53/115	2.56/65	9.97/253	7.88/200	8.20/208	23.50/597	2" MNPT	1-1/2" MNPT
RC50	3.15/80	5.44/138	5.32/135	2.56/65	10.76/273	10.28/261	9.06/230	24.15/613	2" MNPT	1-1/2" MNPT

Dimensions are subject to change without notice – consult factory for installation information

PERFORMANCE CURVES



RC03, RX05, RX07, RX10, RX15, RX20, RX30, RX50



RC03, RX05, RX07, RX10, RX15, RX20, RX30, RX50



For pricing and information please call
Commercial Filtration Supply at (866) 777-8001

Visit us Online at: www.commercial-industrial-supply.com for
more high quality process equipment.