

MAHLE

Industry

Cartridge Filter Housings Nowata M Series Horizontal Multi-Cartridge

Designed for Use with 3M™ Series 740 Cartridges

1. Introduction

The M series horizontal, multi-cartridge housing has the unique design of assuring the elements are seated in the mount receptacles before the closure can be tightened. This prevents improper reseating of cartridges prior to being placed into service and also keeps possible system back pressure from dislodging the elements from their respective seals. The design also includes an internal element support plate to aid in dirty element removal without damage to element supports from dead weight deflection.

These housings are designed to be used with the 3M™ series high flow, 740 cartridge elements.

Filter cartridge access is conveniently located close to the operators waist making filter change-out quick and easy. Standard material of construction is carbon steel or stainless steel. In stainless steel construction, all wetted parts are stainless. The following non-wetted parts are made of carbon steel; Zinc plated bolts and nuts, davit arm assembly, leg assembly, and bolting lug assemblies.

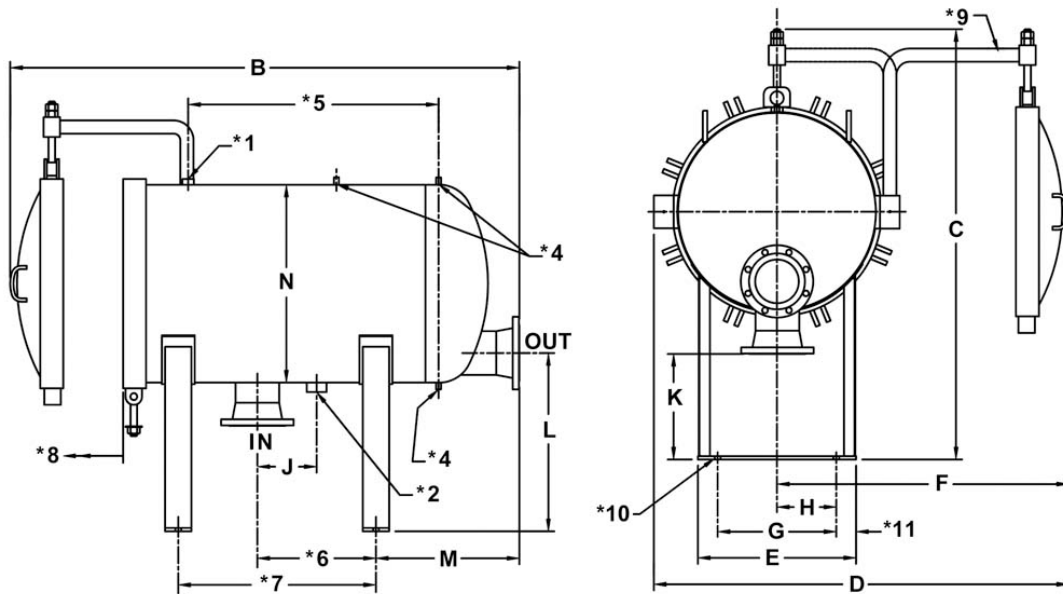
Features

- Housings contain twice as much surface area for the same diameter vessel as competitive products
- Unique guide tubes for easy, accurate installation of cartridges
- Dual O-Rings on elements seal themselves as the vessel cover is tightened, insuring no liquid bypass. Springs or cups are not used
- Gauge ports and drain ports are pre-tapped making gauges and valves easy to install
- Multiple options for housing o-rings
- Optional air eliminator that releases air from the vessel which eliminates manual venting. Automatic venting insures full use of the available filter surface area
- Vessels meet ASME Code Section VIII, Division I which insures premium material and construction for safety, quality and longer vessel life



2. Dimensional Information

No. of Cartridges	Inlet/Outlet Size	B	C	D	E	F	G	H	J	K	L	M	N
4	4	64-7/8	44-7/8	38-3/8	14-1/2	26-3/4	8-1/2	4-1/4	9	13	20-1/2	16	18
5	4	65-3/4	49-1/2	40-3/4	16	28-1/2	10	5	9	13	21-1/2	16-1/2	20
7	6	68-3/4	56-7/8	51-7/8	19-1/2	35-3/8	13-1/2	6-3/4	9	16	26	17-1/2	24
11	6	77-1/4	65-1/4	63	24	44-3/8	18	9	9	16	27	21-3/4	30
18	8	87-1/2	75-7/8	79-3/4	29	58-3/4	23	11-1/2	9	20	32	20-1/2	36
21	8	96-7/8	84	92-7/8	34	67-1/8	28	14	9	20	33	22	42
29	10	102-5/8	94-7/8	97-3/8	39	69-3/4	33	16-1/2	11	23	38	23-1/2	48



Dimensions in inches except where noted. Due to our continuing program of product improvement, specifications are for reference only and subject to change without notice. Dimensions are approximate values and not intended for piping specifications.

NOTES:

*1 = 1 inch FNPT

*2 = Drain 2 inches

*4 = Drain 1/4 inch

*5 = 38 inches

*6 = 18 inches

*7 = 30 inches

*8 = 40 inches clearance required for element removal

*9 = Davit arm assembly

*10 = 7/8 inch x 1-1/2 inch slotted holes (typically 4 places)

3. Typical Model Number

M	H	U	11	Q	C	15	W	6	V
Nowata Series	Housing Orientation	Housing Material	Number Elements	Cartridge Length	ASME Code	Pressure Rating	Connection Type	Connection Size	O-Ring Material

Get a quote on industrial filter housings today:

Commercial Industrial Supply

1444 E. Main St., Rock Hill, SC 29730 USA

Tel: (866) 777-8001 Email: info@emailcis.com